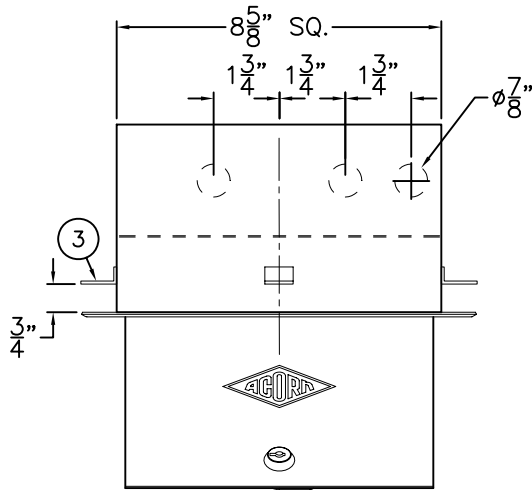


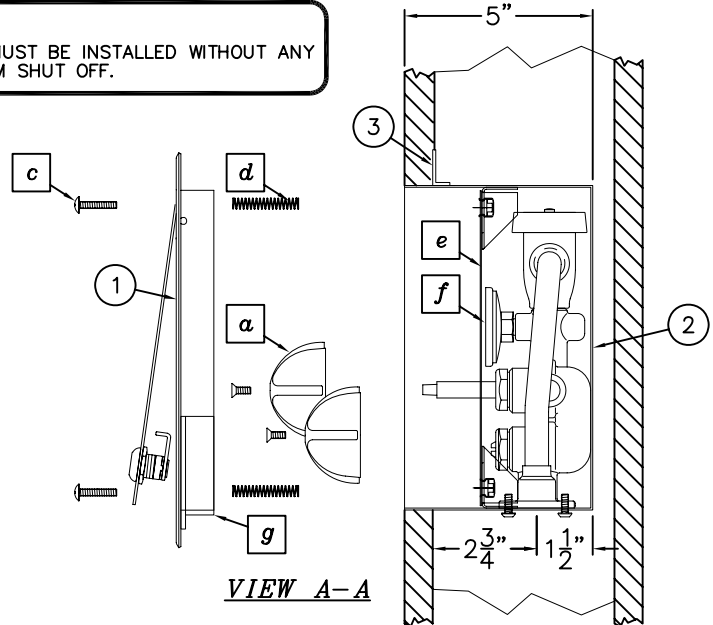
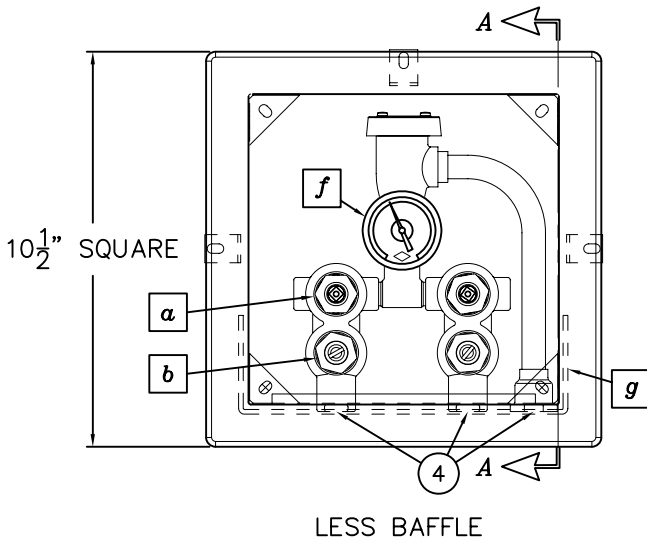


REFERENCE DRAWINGS	
REPAIR PARTS	9989-105-001



- a** CANOPY HANDLES WITH #10-32 x 1/2" PHILLIPS FLAT HD SCREW (L HOT, R COLD).
- b** LOCKSHIELD SCREWDRIVER STOP.
- c** STAINLESS STEEL #10-32 UNF x 1" LONG WALL FLANGE / DOOR ANCHORING SCREWS.
- d** BAFFLE RETAINING SPRING.
- e** BAFFLE.
- f** TEMPERATURE GAUGE.
- g** GRAY FOAM WEATHERSTRIPPING TAPE.

NOTICE:
ASSEMBLY MUST BE INSTALLED WITHOUT ANY DOWNSTREAM SHUT OFF.



**MODEL WITH TEMPERATURE GAUGE (8200)
MODEL LESS TEMPERATURE GAUGE (8201)**

INSTALLATION INSTRUCTIONS:

- A- REMOVE THE WALL FLANGE OR DOOR FRAME ① SHOWN FROM THE BOX ② .
- B- SELECT RECESSED MOUNTING LOCATION AND BLOCK OUT AND/OR PROVIDE ADEQUATE WALL BACKING OR FRAMING BY OTHERS.
- C- USING MOUNTING TABS ③ , POSITION AND SECURE THE BOX TO THE STUD FRAMING OR WALL BACKING WITH THE BOX OPENING FLUSH WITH THE FINISHED WALL. PLUMB AND LEVEL AS REQUIRED.
- D- MAKE UP SUPPLY AND REMOTE CONNECTIONS TO VALVE ④ 1/2" NPTI, TEST FIXTURE FOR LEAKS AND OPERATION.

- E- INSTALL WALL FLANGE OR DOOR FRAME ① TO THE RECESSED BOX ② TO COMPLETE THE INSTALLATION.

NOTE: THE BOX CAN BE MOUNTED SO THE SUPPLY CONNECTION IS ORIENTATED TO ACCEPT THE INCOMING SUPPLY LINE.

NOTE: MAXIMUM RECOMMENDED WORKING WATER PRESSURE IS 100 PSI; MAXIMUM TEMPERATURE IS 130° F.

WARNING: PRIOR TO MAKING INSTALLATION, SUPPLY LINES MUST BE FLUSHED OF ALL FOREIGN MATERIAL SUCH AS PIPE DOPE, CHIPS, SOLDER, ETC. VALVE MUST BE DRAINED PRIOR TO BEING SUBJECTED TO FREEZING TEMPERATURES.



ACORN ENGINEERING COMPANY
P.O. BOX 3527 INDUSTRY, CA. 91744
(626) 336-4561 FAX (626) 961-2200

TITLE 8200 SERIES RECESSED REMOTE SUPPLY BOX		
MANUFACTURE DATE SEPTEMBER 1976 TO PRESENT	DATE ISSUED 03/11/10	DRAWING NUMBER 9901-070-001
	DATE REVISED	