



A WATTS Brand

# S59-2045 (TMV45) Standard Thermostatic Mixing Valves

- Reliable liquid-filled thermostat
- Integral strainer checkstops on inlets
- Adjustable set point within temperature range
- Accurate temperature control
- Positive shutoff of hot supply when cold supply is lost
- Easy installation and serviceability
- Dirt and lime resistant
- Factory assembled and tested
- Universal mounting capability
- Cabinet features
  - 18 gauge body & door
  - Left hand hinge
  - Cylinder lock
  - Inlet/outlet knock out holes for mounting flexibility
  - Stainless steel or baked white enamel finishes
  - Surface mounted or recessed style with flange

## Valve Specifications

### Maximum Operating Pressure

125 PSI (860 kPa)

### Maximum Inlet Temperature

180°F (82°C)

### Temperature Range

**Std.** 85°F (29°C) to 135°F (57°C)  
**High** 100°F (38°C) to 150°F (66°C)

### Set Point

110° F (43°C)  
 130°F (54°C)

### Flow Capacities – GPM

Model	Min. Flow*	Pressure Drop – PSI						
		5	10	15	20	30	45	60
S59-2045	5.0	12.0	17.0	21.0	25.0	31.0	37.0	42.0

### Flow Capacities – L/Min

Model	Min. Flow*	Pressure Drop – Bar						
		.5	1.0	1.5	2.0	2.5	3.0	4.0
S59-2045	18.9	60.0	91.0	115.0	135.0	153.0	170.0	200.0

\*Recirculation system only (See diagram on Page 2). When properly installed near the hot water source with a continuously operating recirculation pump, the valve will maintain set temperature with a 0.5 gpm (2.0 L/Min) draw from the plumbing system.

## Product Compliance



### Listed by IAPMO R&T to

- ASSE 1017, CSA B125.3
- Uniform Plumbing Code (UPC),
- National Plumbing Code of Canada and
- International Plumbing Code (IPC)



### Listed by ASSE International to

- ASSE 1017



### Listed by NSF International to

- NSF/ANSI 372



Standard product selections contained within this document are third party CERTIFIED to NSF/ANSI 372 meeting the Lead-Free content requirement. Any product configured with custom options will be COMPLIANT with NSF/ANSI 372 meeting the Lead-Free content requirement.



TMV45 (Part No. S59-2045)

## Valve Model

Model	Description
S59-2045	Standard Thermostatic Mixing Valve

## Configurable Valve Model (select one)

Model	Description
TMV45	TMV45 Thermostatic Mixing Valve with Options
CAB-TMV45	TMV45 Thermostatic Mixing Valve <b>Cabinet Only</b>

## Optional Valve Selections

Finish	
R	Rough Brass (standard)
C	Chrome Plated

Thermostat	
S	Standard Range Thermostat
H	High Range Thermostat

Thermometer	
T	Dial Thermometer
O	None

Bracket	
B	Wall Mounting Bracket
O	None

Piped Assembly	
P	Piped Assembly with Inlet and Outlet Shutoff
N	Piped Assembly with Outlet Shutoff
O	None

## Optional Cabinet Selections

Cabinets (includes bracket)	
SS	Surface Mount Stainless Steel
RS	Recessed Stainless Steel
SE	Surface Mount White Enamel
RE	Recessed White Enamel
O	None

Window	
W	Plexi-Glass Window in Door
O	None

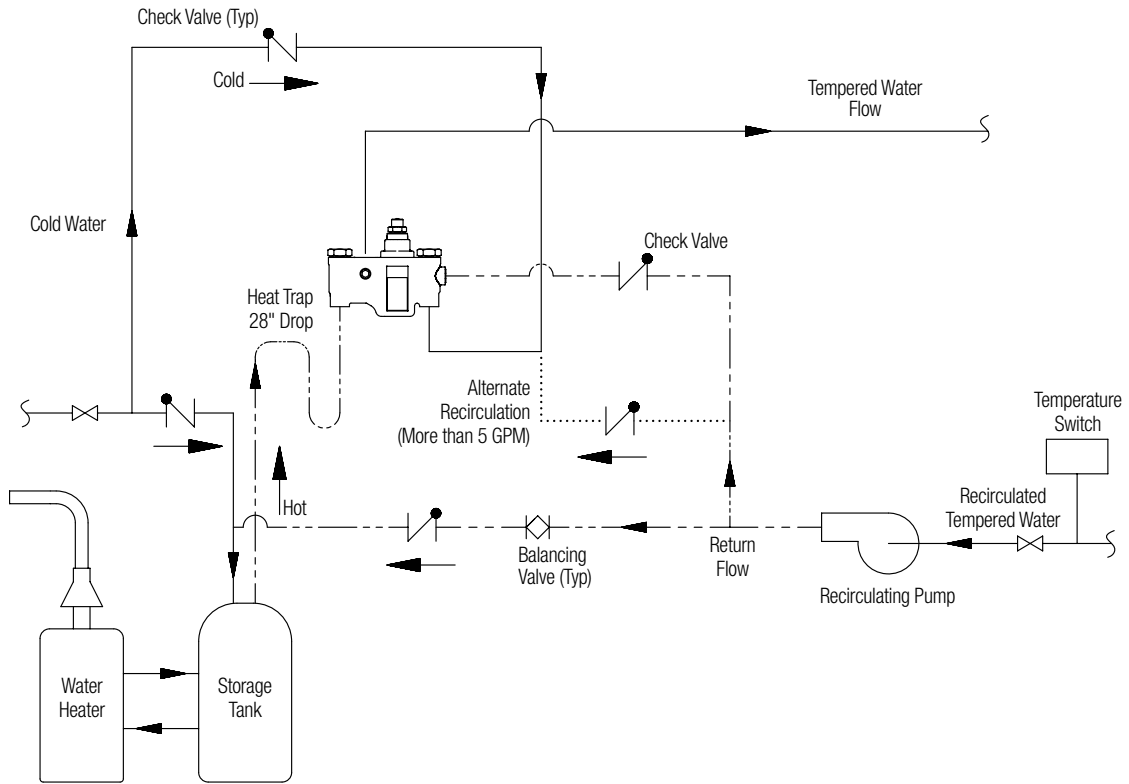
Engineer's Approval \_\_\_\_\_



A WATTS Brand

# S59-2045 (TMV45) Standard Thermostatic Mixing Valves

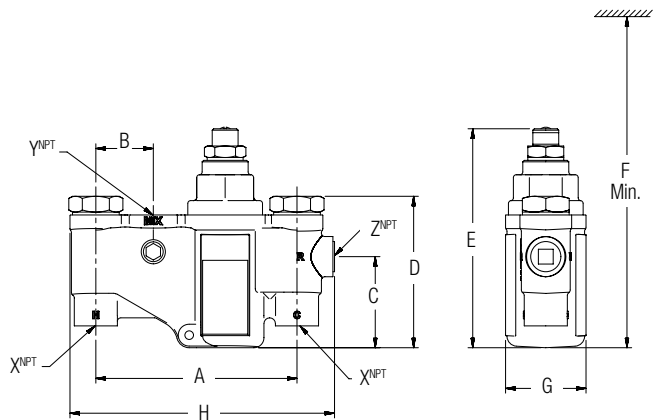
## Recirculation Diagram



## Dimensions – Inches (mm)

Model	A	B	C	D	E
S59-2045	7 (178)	2 (51)	3-1/8 (79)	5-1/4 (133)	7-5/8 (194)

Model	F	G	H	X <sup>NPT</sup>	Y <sup>NPT</sup>	Z <sup>NPT</sup>
S59-2045	14 (356)	2-3/4 (70)	9-3/16 (233)	3/4	1	3/4



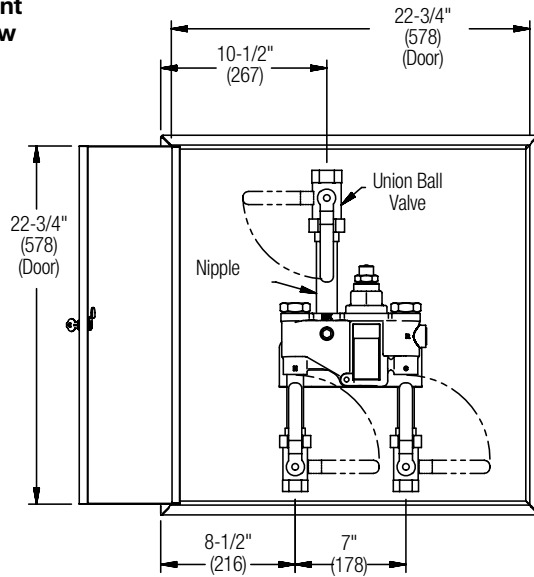


A WATTS Brand

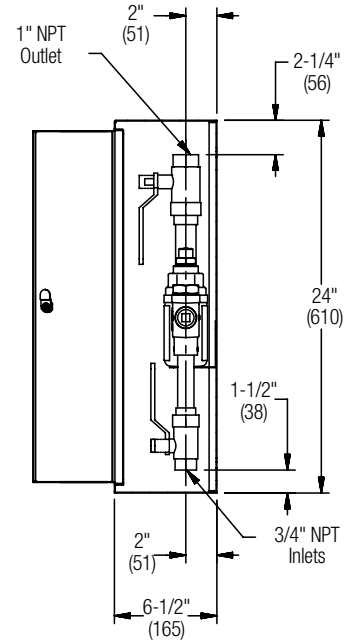
# S59-2045 (TMV45) Standard Thermostatic Mixing Valves

## Dimensions — TMV45 Surface Mounted

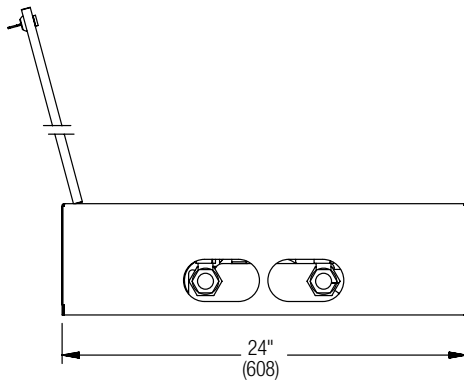
**Front View**



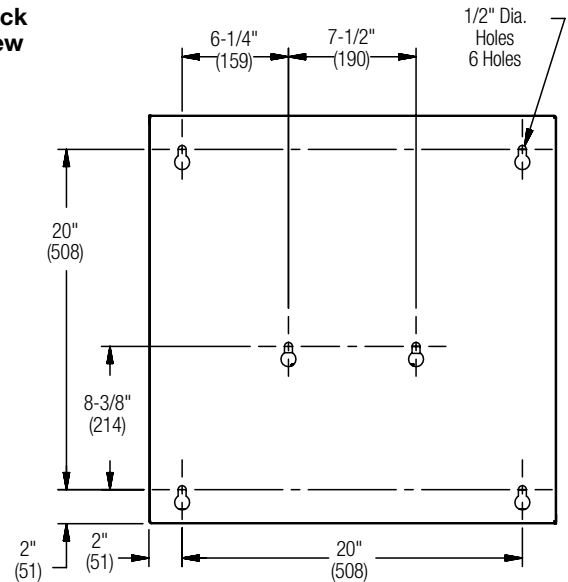
**Side View**



**Bottom View**



**Back View**



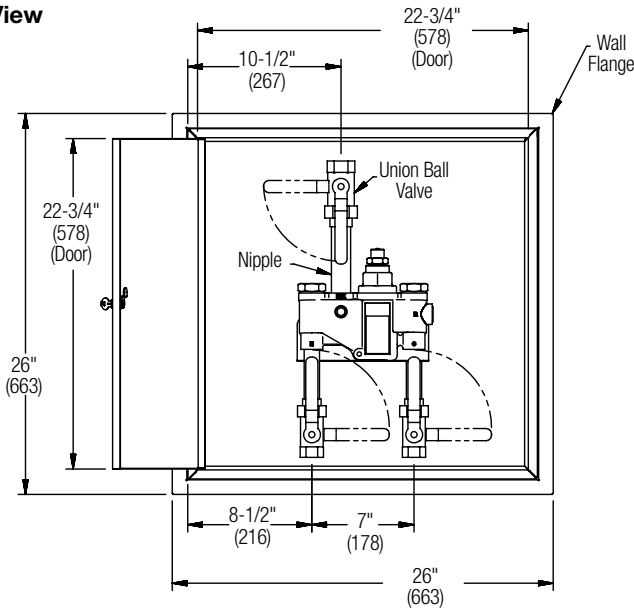


A WATTS Brand

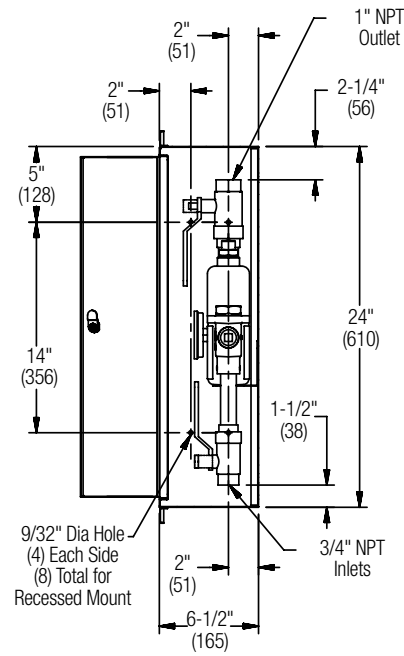
# S59-2045 (TMV45) Standard Thermostatic Mixing Valves

## Dimensions — TMV45 Recessed

**Front View**



**Side View**



**Bottom View**

