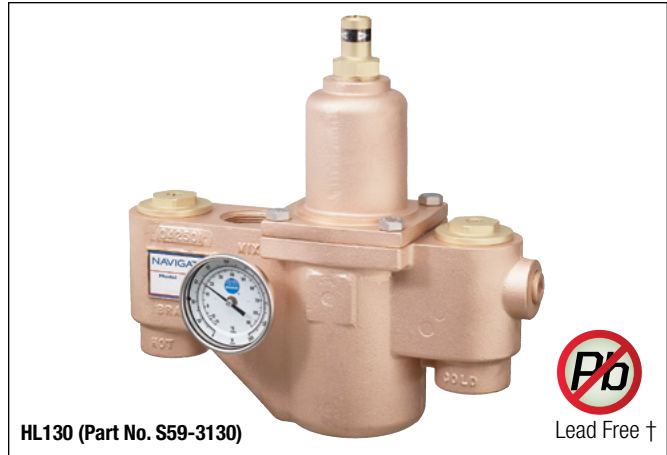




A WATTS Brand

S59-3130 (HL130) Thermostatic High-Low Valves

- Lead-free brass design †
- Reliable liquid-filled thermostat with 10-year warranty
- Integral strainer checkstops on inlets
- Adjustable set point within temperature range
- Accurate temperature control to within ±3° F
- Positive shutoff of flow in the event of cold supply line failure or thermostat failure
- Easy installation and serviceability
- Dirt and lime resistant
- Factory assembled and tested
- Universal mounting capability
- Dial thermometer
- Cabinet features:
 - 18 Gauge body & door
 - Left-hand hinge
 - Cylinder lock
 - Inlet/outlet knock-out holes for mounting flexibility
 - Stainless steel or baked white enamel finishes
 - Surface-mounted or recessed style with flange



Valve specifications

Maximum operating pressure

125 Psi (860 kpa)

Maximum inlet temperature

180° F (82° c)

Temperature Range

	Std.	90° F (32° C) to 120° F (49° C)	Set Point	110° F (43° C)
	High	110° F (43° C) to 140° F (60° C)		130° F (54° C)

Flow Capacities – GPM

Model	Min. Flow*	Pressure Drop – PSI						
		5	10	15	20	30	45	60
S59-3130	4.0	40.0	58.0	71.0	83.0	102.0	126.0	147.0

Flow Capacities – L/Min

Model	Min. Flow*	Pressure Drop – Bar						
		.5	1.0	1.5	2.0	2.5	3.0	4.0
S59-3130	15.0	184.5	265.0	327.0	380.0	427.0	470.0	546.0

*Recirculation system only (see diagram on page 2). When properly installed near the hot water source with a continuously operating recirculation pump, the valve will maintain set temperature with a .5 Gpm (2.0 L/min) draw from the plumbing system.

Product Compliance



Listed by IAPMO R&T to

- ASSE 1017, CSA B125.3
- Uniform Plumbing Code (UPC),
- National Plumbing Code of Canada and
- International Plumbing Code (IPC)



Listed by ASSE International to

- ASSE 1017



Listed by NSF International to

- NSF/ANSI 372



Standard product selections contained within this document are third party CERTIFIED to NSF/ANSI 372 meeting the Lead-Free content requirement. Any product configured with custom options will be COMPLIANT with NSF/ANSI 372 meeting the Lead-Free content requirement.

Valve Model

Model	Description
S59-3130	High-Low Thermostatic Mixing Valve

Configurable Valve Model (select one)

Model	Description
HL130	HL130 Thermostatic Mixing Valve with Option
CAB-HL130	HL130 Thermostatic Mixing Valve Cabinet Only

Optional Valve Selections

Finish	
R	Rough Brass (standard)
C	Chrome Plated
Thermostat	
S	Standard Range Thermostat
H	High Range Thermostat
Bracket	
B	Wall Mounting Bracket
O	None
Piped Assembly	
P	Piped Assembly with Inlet and Outlet Shutoff
N	Piped Assembly with Outlet Shutoff
O	None

Optional Cabinet Selections

Cabinets (includes bracket)	
SS	Surface Mount Stainless Steel
RS	Recessed Stainless Steel
SE	Surface Mount White Enamel
RE	Recessed White Enamel
O	None

Window	
W	Plexi-Glass Window in Door
O	None

† Wetted surface contains less than .25% lead

Engineer's Approval _____

© 2024 Bradley

P.O. Box 309, Menomonee Falls, WI 53052-0309
800 BRADLEY (800 272 3539) +1 262 251 6000
bradleycorp.com

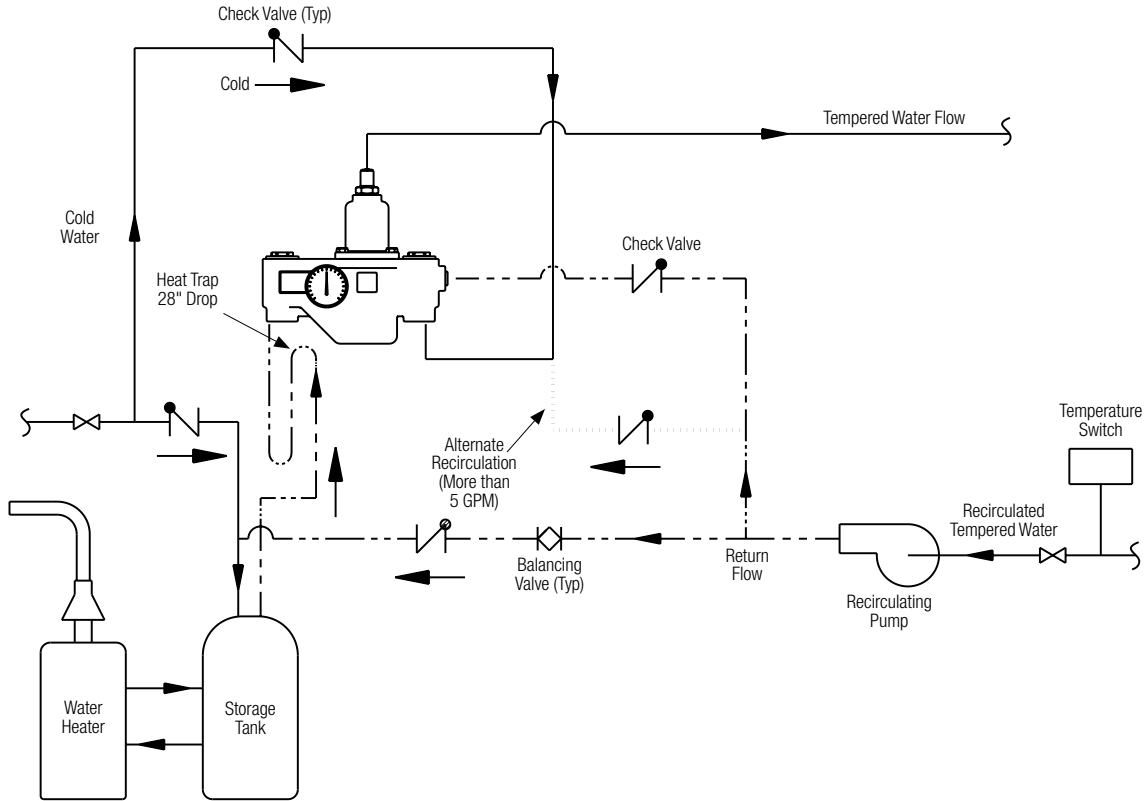


A WATTS Brand

S59-3130 (HL130) Thermostatic High-Low Valves

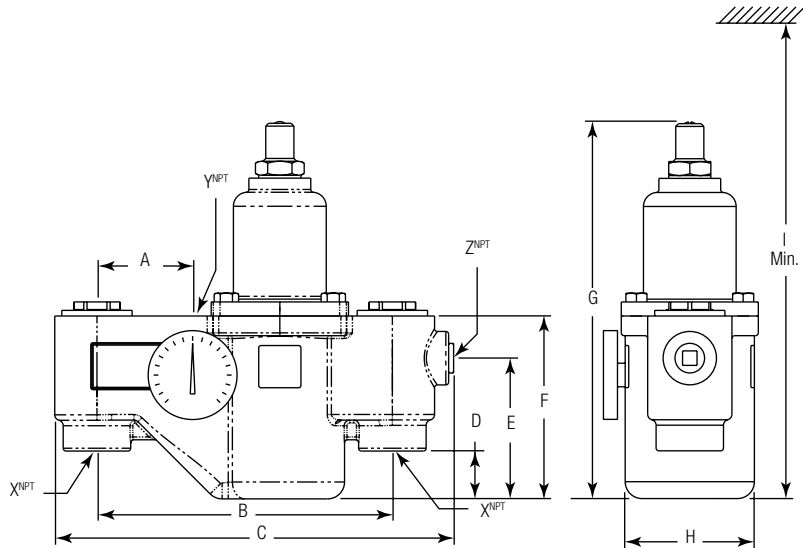
(mm)

Recirculation Diagram



Dimensions

Model	A	B	C	D	E	F	G	H	I	X ^{NPT}	Y ^{NPT}	Z ^{NPT}
S59-3130	2-3/4" (70)	10-1/2" (267)	14" (356)	1-3/4" (45)	5" (127)	6-5/8" (169)	13-1/2" (343)	4-7/8" (124)	22" (559)	1-1/4"	1-1/2"	3/4"





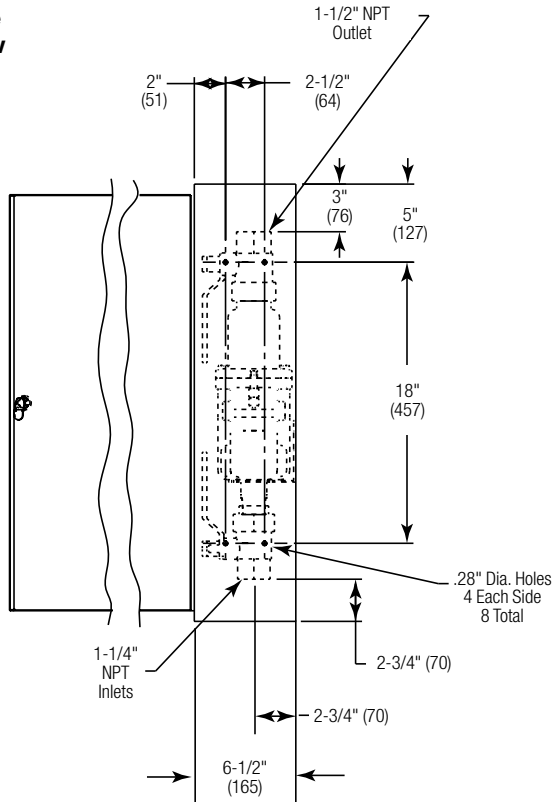
A WATTS Brand

S59-3130 (HL130) Thermostatic High-Low Valves

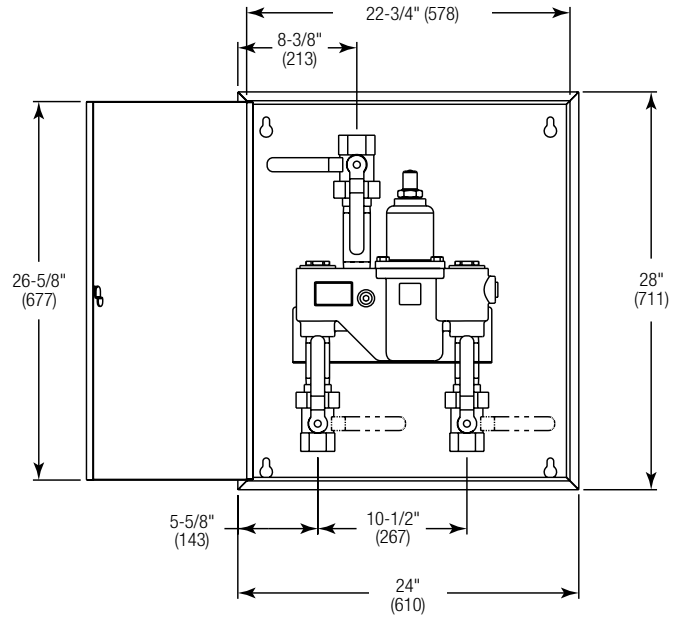
Dimensions — HL130 Surface-Mounted Cabinet

(mm)

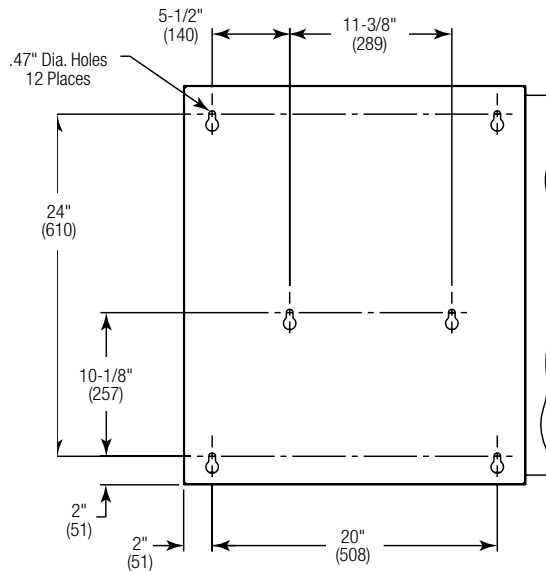
Side View



Front View



Back View





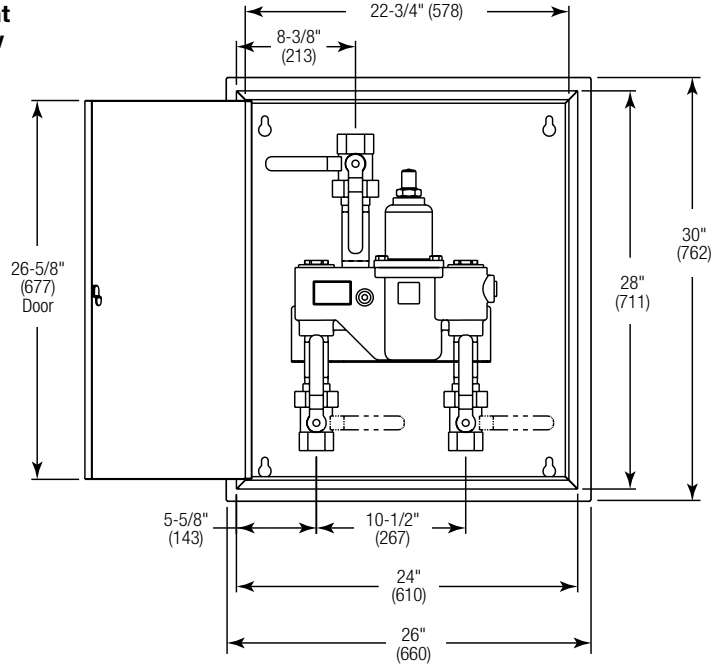
A WATTS Brand

S59-3130 (HL130) Thermostatic High-Low Valves

Dimensions — HL130 Recessed Cabinet

(mm)

Front View



Side View

