



A WATTS Brand

S59-4007

Navigator® Thermostatic Mixing Valves

- Reliable wax-filled thermostat
- Adjustable set point within temperature range
- Easy installation and serviceability
- Dirt and lime resistant
- 1/2" Copper & 1/2" NPT tailpiece connection
- Check valves on supply inlets
- Factory assembled and tested
- Universal mounting capability
- Lead-free design †
- Thermoplastic polymer cartridge
- Optional mounting bracket

Valve Specifications

Maximum Operating Pressure
125 PSI (860 kPA)

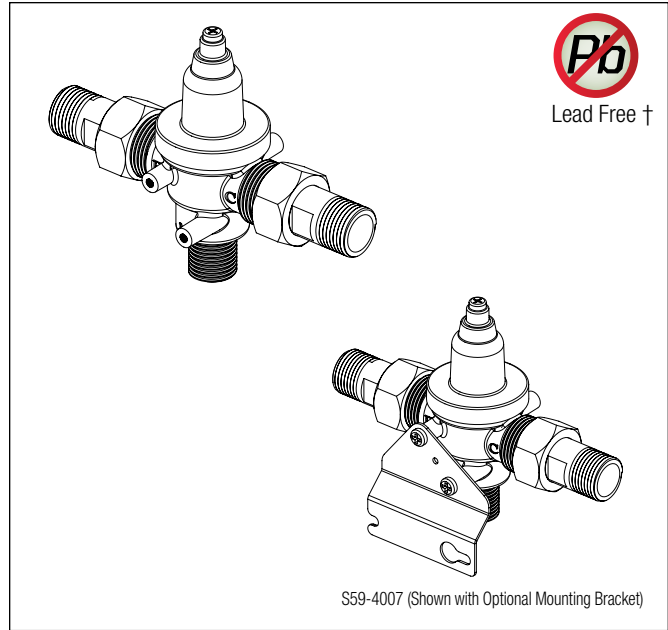
Maximum Inlet Temperature
180° F (82° C)

Temperature Range
Std. 95° F (35° C) to 125° F (52° C)

Temperature Differential - Hot to Mix
10° F (5.6° C)

Flow Capacities – GPM (L/Min)

Model	Min. Flow	Pressure Drop – PSI (Bar)						
		5 (.5)	10 (1.0)	15 (1.5)	20 (2.0)	30 (2.5)	45 (3.0)	60 (4.0)
S59-4007	0.2 (0.8)	2.5 (11.5)	3.5 (16.0)	4.5 (20.0)	5.0 (23.0)	6.0 (25.5)	7.5 (28.0)	8.5 (32.0)



Models (Must select one)

Model	Description
S59-4007	Navigator® Thermostatic Mixing Valve with 1/2" male NPT connection
S45-2976	Optional Mounting Bracket

Product Compliance

Listed by IAPMO R&T to

- ASSE 1070/ASME A112.1070/CSA B125.70
- Uniform Plumbing Code (UPC)
- National Plumbing Code of Canada
- International Plumbing Code (IPC)

Listed by ASSE International to

- ASSE 1070

Listed by NSF International to

- NSF/ANSI 372



Engineer's Approval _____

† Wetted surface area contains less than .25% lead.

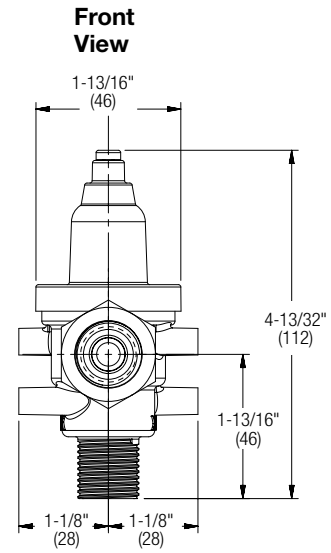
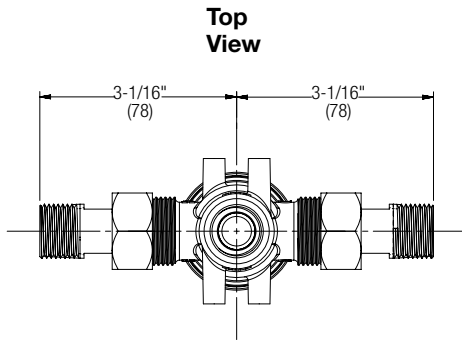


Standard product selections contained within this document are third party CERTIFIED to NSF/ANSI 372 meeting the Lead-Free content requirement. Any product configured with custom options will be COMPLIANT with NSF/ANSI 372 meeting the Lead-Free content requirement.



Dimensions

(mm)



Front View with Bracket

