

# Hygiene, Salon, Mortuary Fittings 809-CP

## Product Type

Bed pan cleaner with loose key shutoff

## Features & Specifications

- Handle includes red, blue, and white index
- 53" white vinyl hose assembly
- Rubber-bound 25-degree male rose spray, 1.5 GPM
- Vandal Proof 3" cross handle
- Slow compression operating cartridge, left-hand
- Vacuum breaker assembly
- Complies with the requirements of the Buy American Act of 1933.
- CFNow! Item Ships in 3 Days


## Performance Specification

- Rated Operating Pressure: 20-125 PSI
- Rated Operating Temperature: 40-140°F

## Warranty

- 5-Year Limited Cartridge Warranty
- Lifetime Limited Faucet Warranty
- 1-Year Limited Finish Warranty

## Codes & Standards

-  ASME A112.18.1/CSA B125.1

Job Name \_\_\_\_\_

Item Number \_\_\_\_\_

Section/Tag \_\_\_\_\_

Model Specified \_\_\_\_\_

Architect \_\_\_\_\_

Engineer \_\_\_\_\_

Contractor \_\_\_\_\_

Submitted as Shown

Submitted with Variations

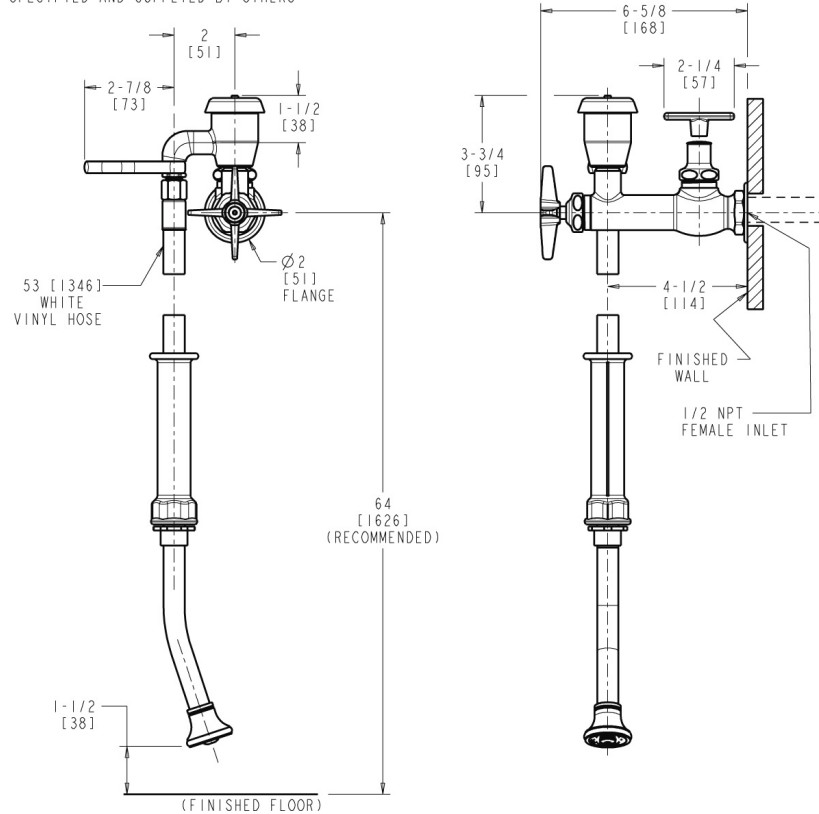
Date \_\_\_\_\_



## Architect/Engineer Specification

Chicago Faucets No. 809-CP, Bed Pan Cleaner with single, loose key handle, wall-mounted, chrome plated. Full-flow, 25-degree, male rose spray. 3" metal, cross handle with eight-point, tapered broach and secured, blue index button. Slow compression rebuildable cartridge, opens and closes 360° for fine adjustment, closes with water pressure, features square, tapered stem. 1/2" NPT female thread inlet. Includes atmospheric vacuum breaker. NOTE: Atmospheric vacuum breaker is NOT intended for continuous pressure applications. This product is tested and certified to industry standards: ASME A112.18.1/CSA B125.1.

NOTE: ALL DOTTED LINE PIPING IS 1/2" IPS UNLESS OTHERWISE SPECIFIED AND SUPPLIED BY OTHERS



## Operation and Maintenance

Installation should be in accordance with local plumbing codes. Flush all pipes thoroughly before installation. After installation, remove spout outlet or flow control and flush faucet thoroughly to clear any debris. Care should be taken when cleaning the product. Do not use abrasive cleaners, chemicals or solvents as they can result in surface damage. Use mild soap and warm water for cleaning and protecting the life of Chicago Faucet products. For specific operation and maintenance refer to the installation instructions and repair parts documents that are located at [www.chicagofaucets.com](http://www.chicagofaucets.com).

Chicago Faucets, member of the Geberit Group, is the leading brand of commercial faucets and fittings in the United States, offering a complete range of products for schools, laboratories, hospitals, office buildings, food service, airports and sport facilities. Call 1.800.TECTRUE or 1.847.803.5000 Option 1 for installation or other technical assistance.

