

IN-LINE VACUUM BREAKER

Model: EF-109

SPECIFICATION SUBMITTAL

FEATURE HIGHLIGHTS

- In-line vacuum breaker provides back flow protection for Symmons hand shower systems
- In-line vacuum breaker shall be plated in standard polished chrome finish

COMPLIANCE

- ASSE 1014

Note: All Symmons hand shower systems used in conjunction with in-line vacuum breaker (EF-109) shall comply with ASSE 1014

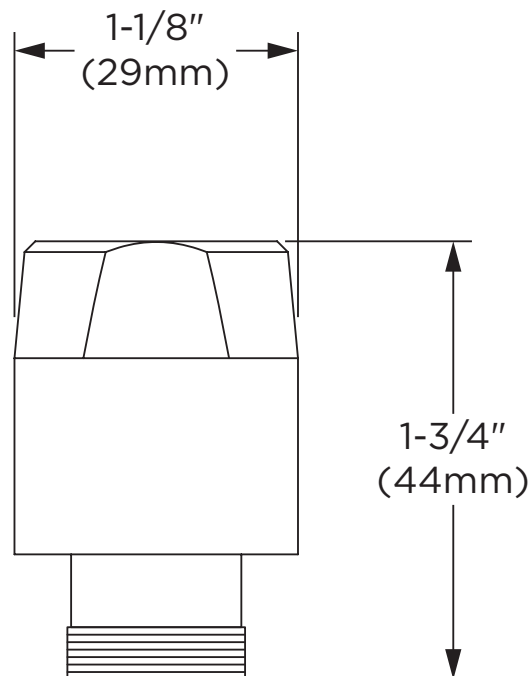


FINISH OPTIONS/MODIFICATIONS

- STN Satin Nickel finish

Note: Append appropriate -suffix to model number.

DIMENSIONS



Notes:

- 1) In-line vacuum breaker has 1/2 inch male and female connections.
- 2) Dimensions subject to change without notice.