



Surface Mounted Shower System Operation & Maintenance Manual

H801S: Through wall piping configuration with soap dish

Modifications

- Remove "S" modifier for Less Soap Dish
- RS** Recessed soap dish
- SH** Shortened handle
- Valve Modifiers**
- 56** Metering Show-Off and Pressure Balance Valve Combo
- Shower Modifiers**
- L1** Less showerhead
- 1.5** 1.5 gpm Shower Head

Compliance

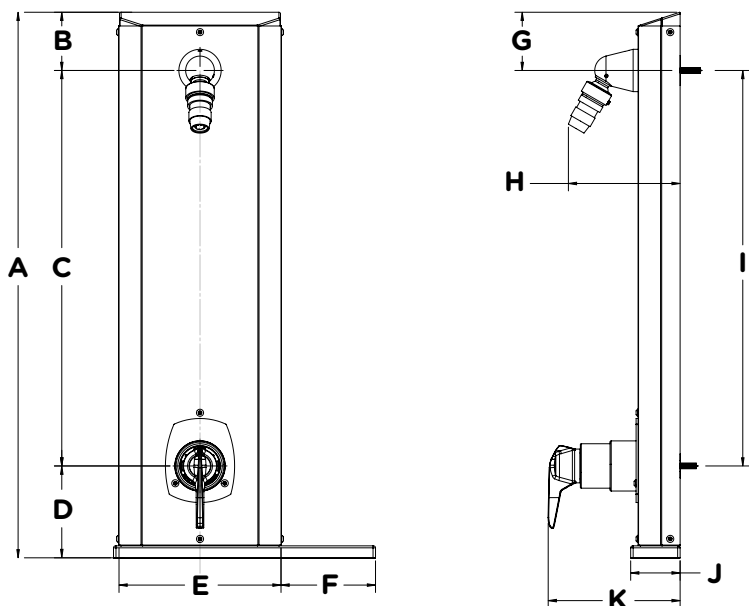
- ASME A112.18.1/CSA B125.1
- ASSE 1016



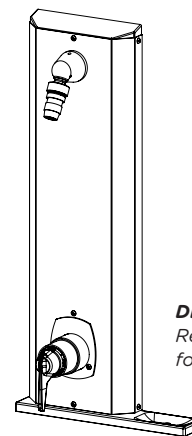
Architectural/Engineering Specification

Pressure Balancing mixing valve with screw driver service stops and adjustable stop screw to limit handle turn. Showerhead Fre-Flo, all brass with ball joint. Attached soap dish and sloped metal top cap. Stainless steel covering to be 18 gauge with #4 brush finish.

Dimensions



Measurements	
A	27-9/16", 700 mm
B	2-15/16", 75 mm
C	20", 508 mm
D	4-5/8", 118 mm
E	8-3/16", 208 mm
F	4-3/4", 121 mm
G	2-15/16", 75 mm
H	5-5/8", 143.5 mm
I	20", 508 mm
J	2-1/2", 63.5 mm
K	6-11/16", 169.5 mm



Displayed: H801S
Remove "S" modifier
for less soap dish



Job/Location

.....
.....

Engineer

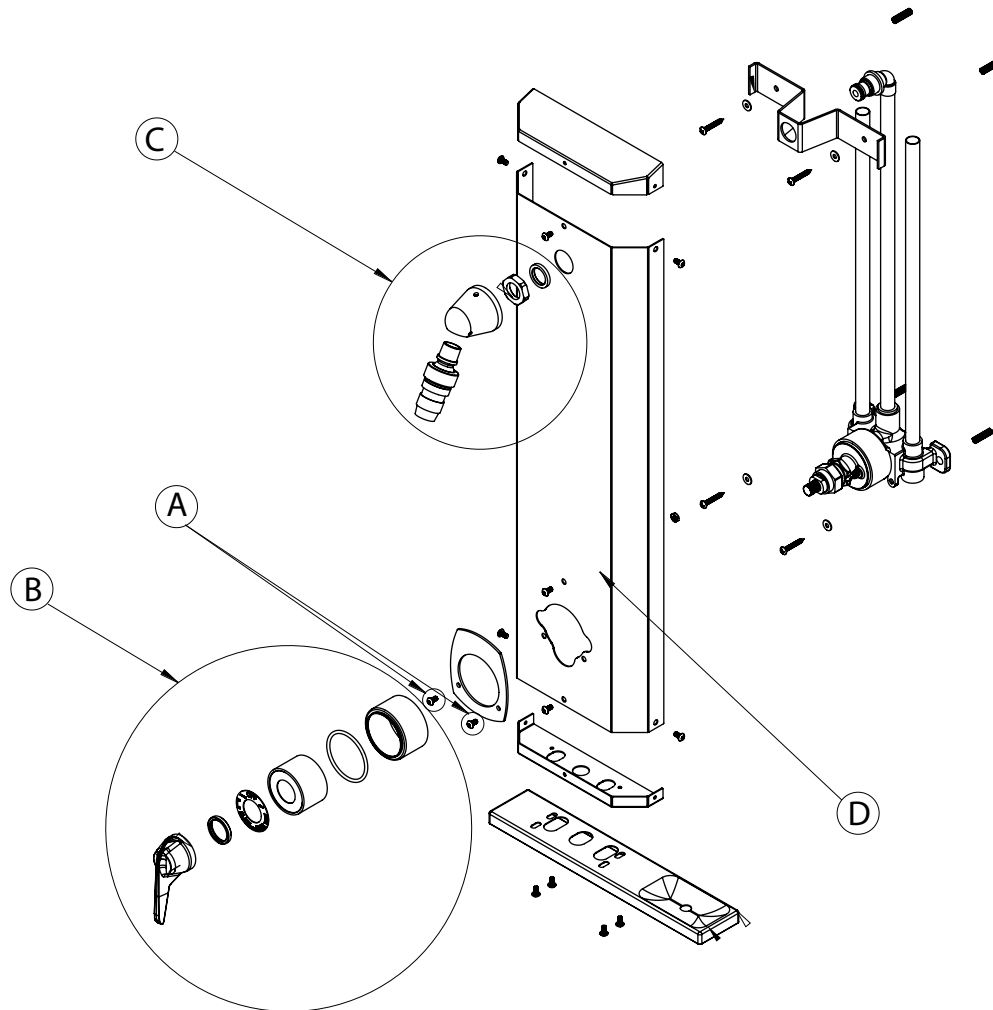
.....
.....

Contractor

.....
.....

For ADA compliance (Americans with Disabilities Act) consult ADAAG or your state regulations for proper product choice and mounting locations.

Installation



INSTALLATION:

1. With provided vandal resistant bit remove 2 vandal-proof screws (A) holding stain less steel unit cover (D) to valve and piping assembly.
2. Remove handle and dome assembly (B)
3. Remove showerhead assembly (C)
4. Remove unit cover (D)
5. Use valve assembly to mark mounting holes on desired surface
6. Mount valve and piping assembly to wall with screws and anchors provided.
7. Connect supply piping.
8. Replace unit covering and fasten with vandal proof screws (A)
9. Replace handle Assembly (B) and showerhead Assembly (C)

For ADA compliance (American Disabilities Act) consult ADAAG or your state regulations for proper product choice and mounting heights. ADAAG does permit a fixed shower head mounted 48" above the floor in unmonitored facilities where vandalism may be a problem.